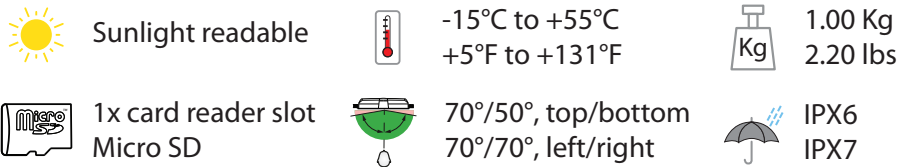
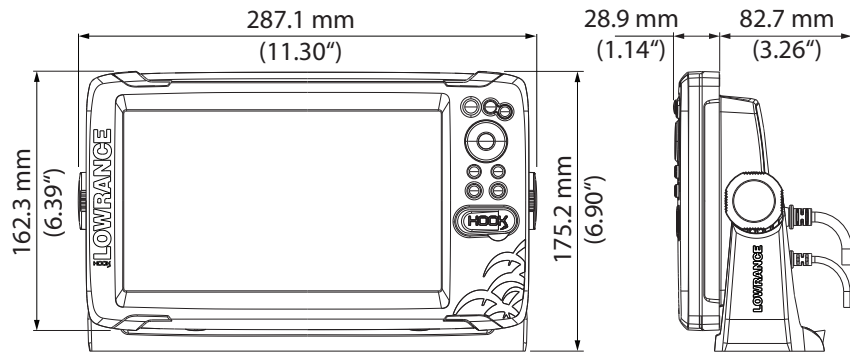
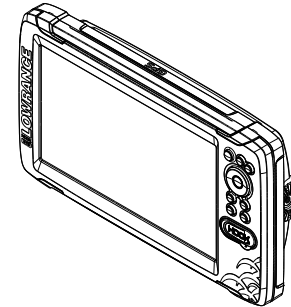


Details



LOWRANCE®

HOOK² 9 INSTALLATION GUIDE

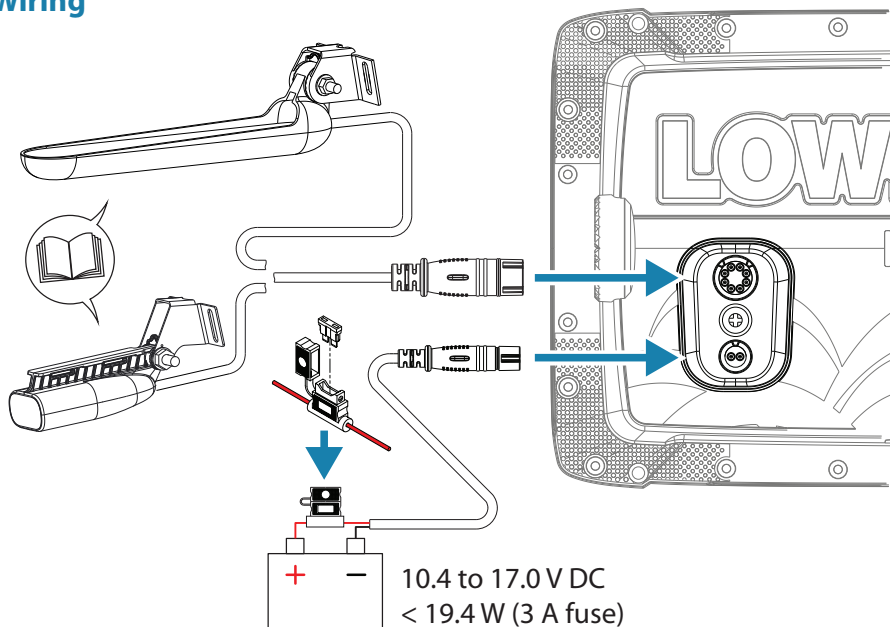


For product manuals, technical specifications, certificates and declarations refer to the product website:

www.lowrance.com

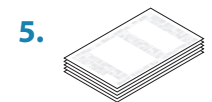
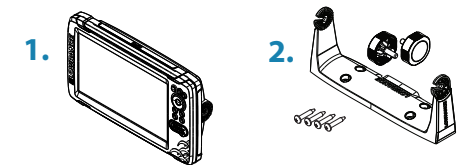


Wiring



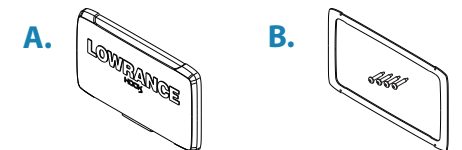
Parts included

1. Display unit
2. Bracket mounting kit
 - Bracket
 - 2x knobs
 - 4x screws, self-tapping #10 X 3/4 PN HD SS
3. Cable and fuse kit
 - Power cable
 - Fuse and fuse holder
4. SplitShot or TripleShot transducer
5. Document package

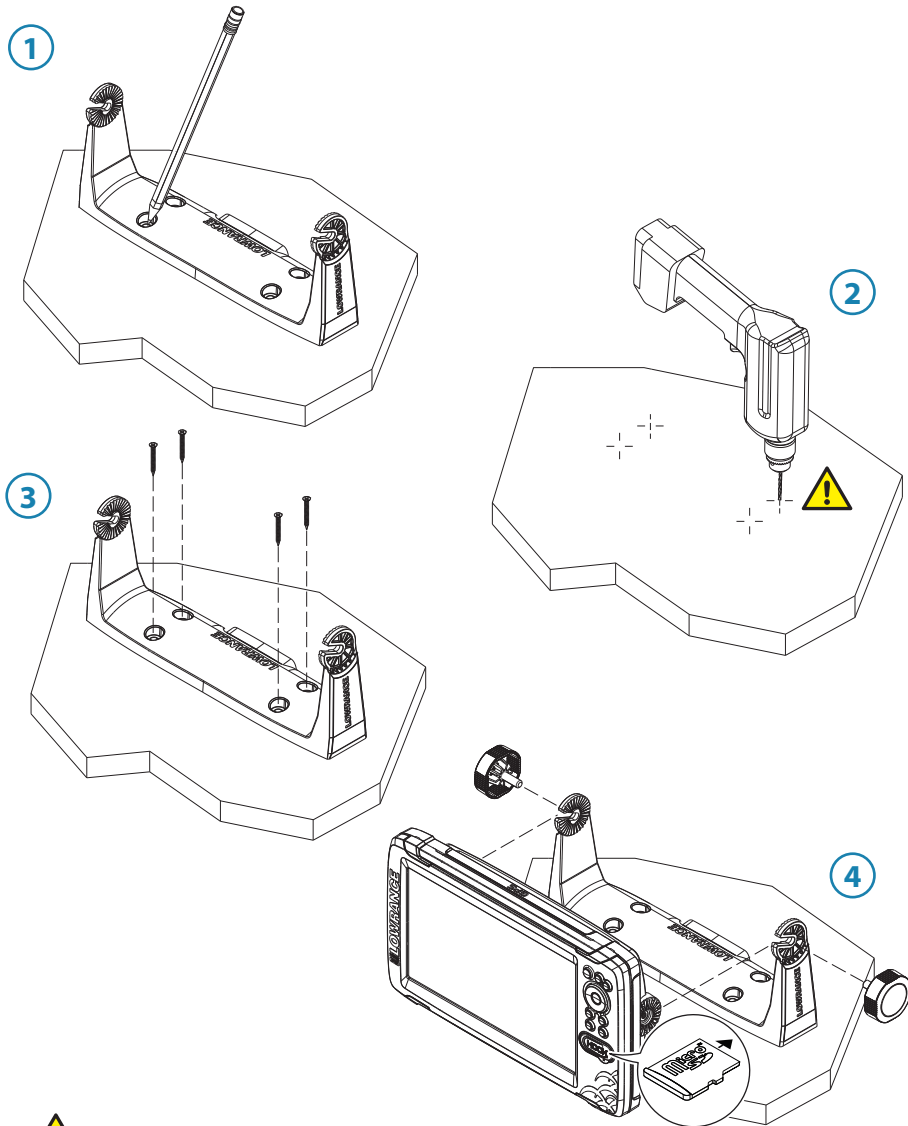



Accessories (sold separately)

- A. Sun cover
part no.: 000-14176-001
- B. Panel mounting kit
part no.: 000-14189-001



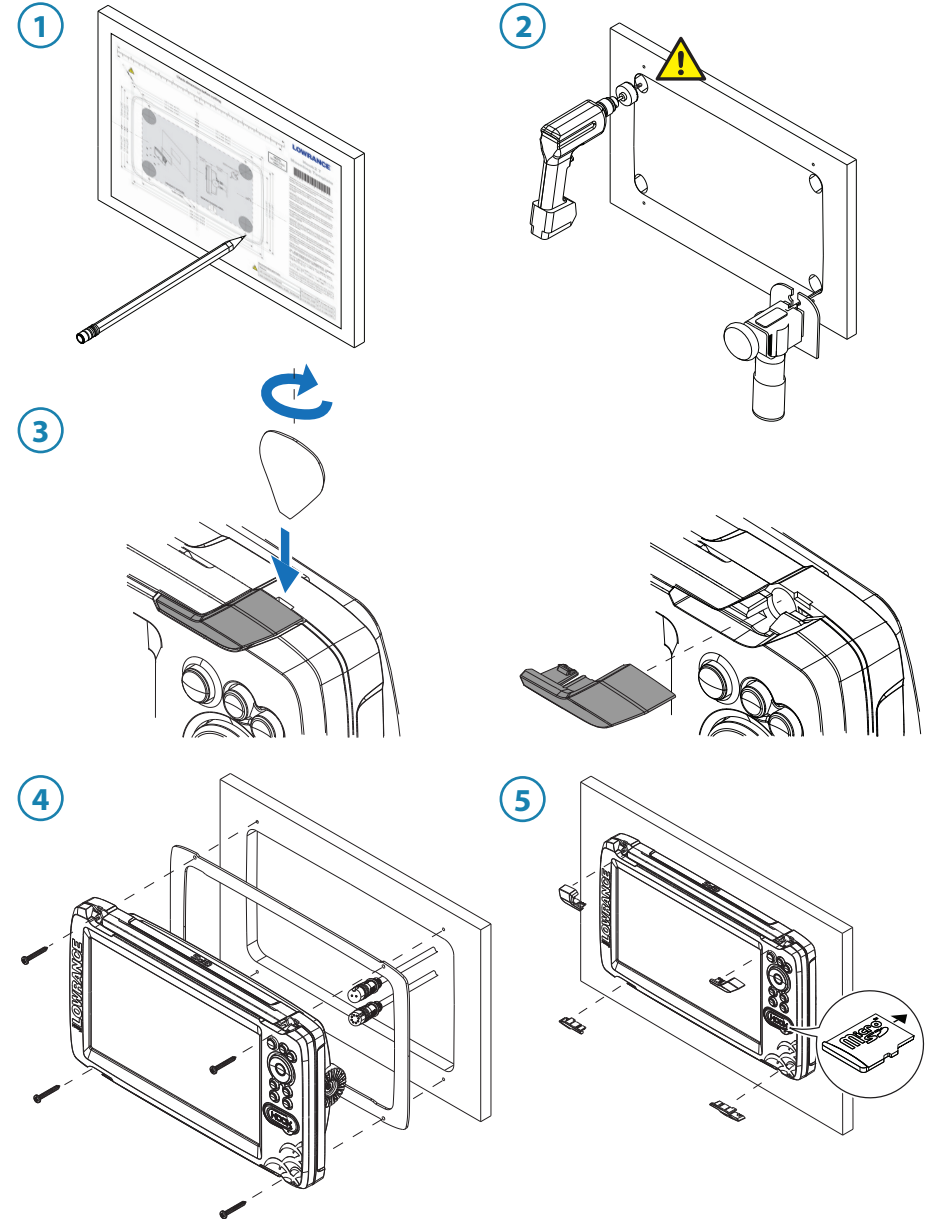
Bracket mounting




 Recommended pilot holes.

Material	10# screw
Soft materials e.g. Plywood	Ø 3.7-4.0 mm (5/32")
Hard materials e.g. Fiberglass, Acrylic, Hardwoods	Ø 4.1-4.7 mm (3/16")

Panel mounting



 See panel mounting template for drilling and cutting details. Panel mounting kit is sold separately.